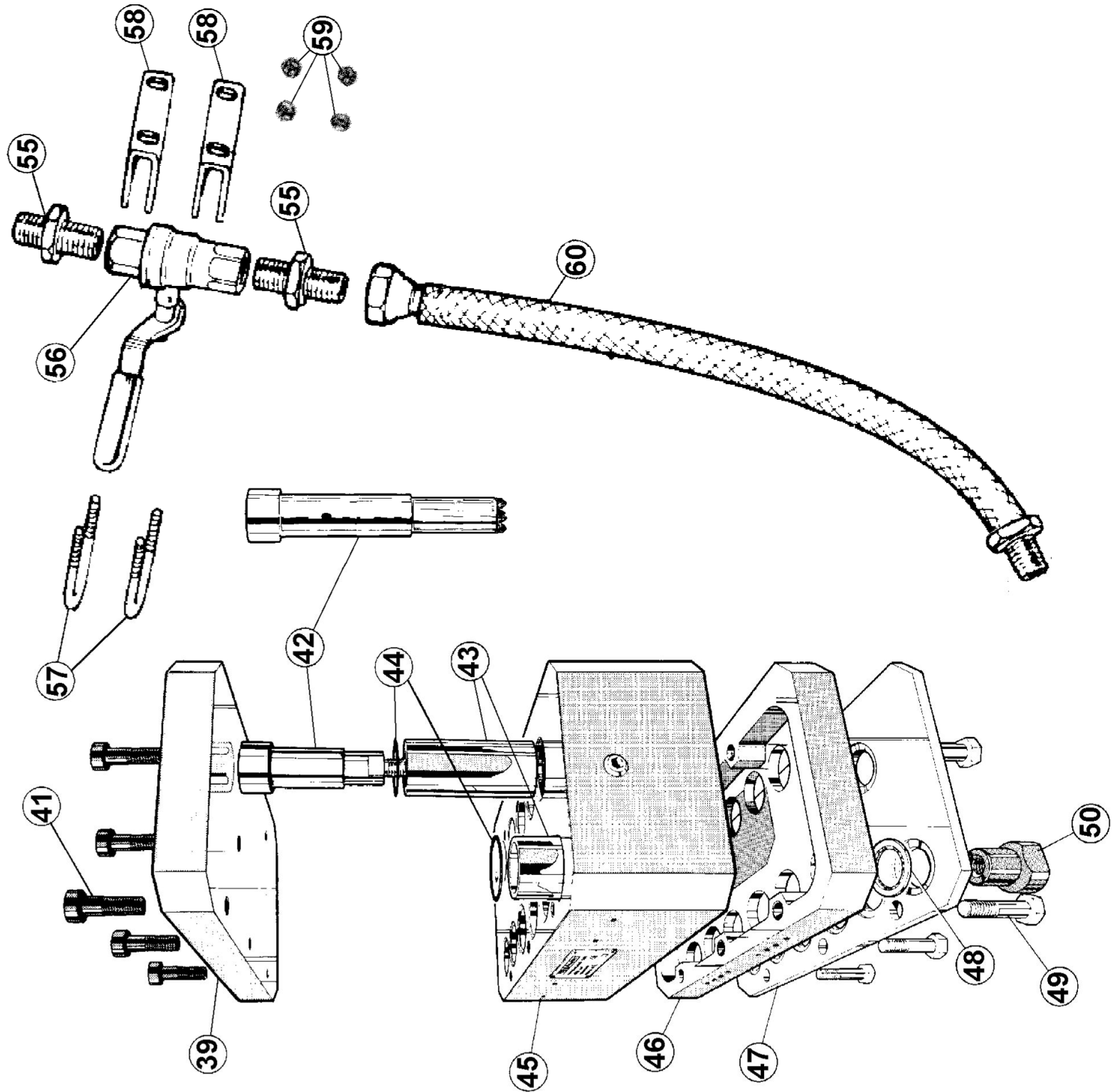
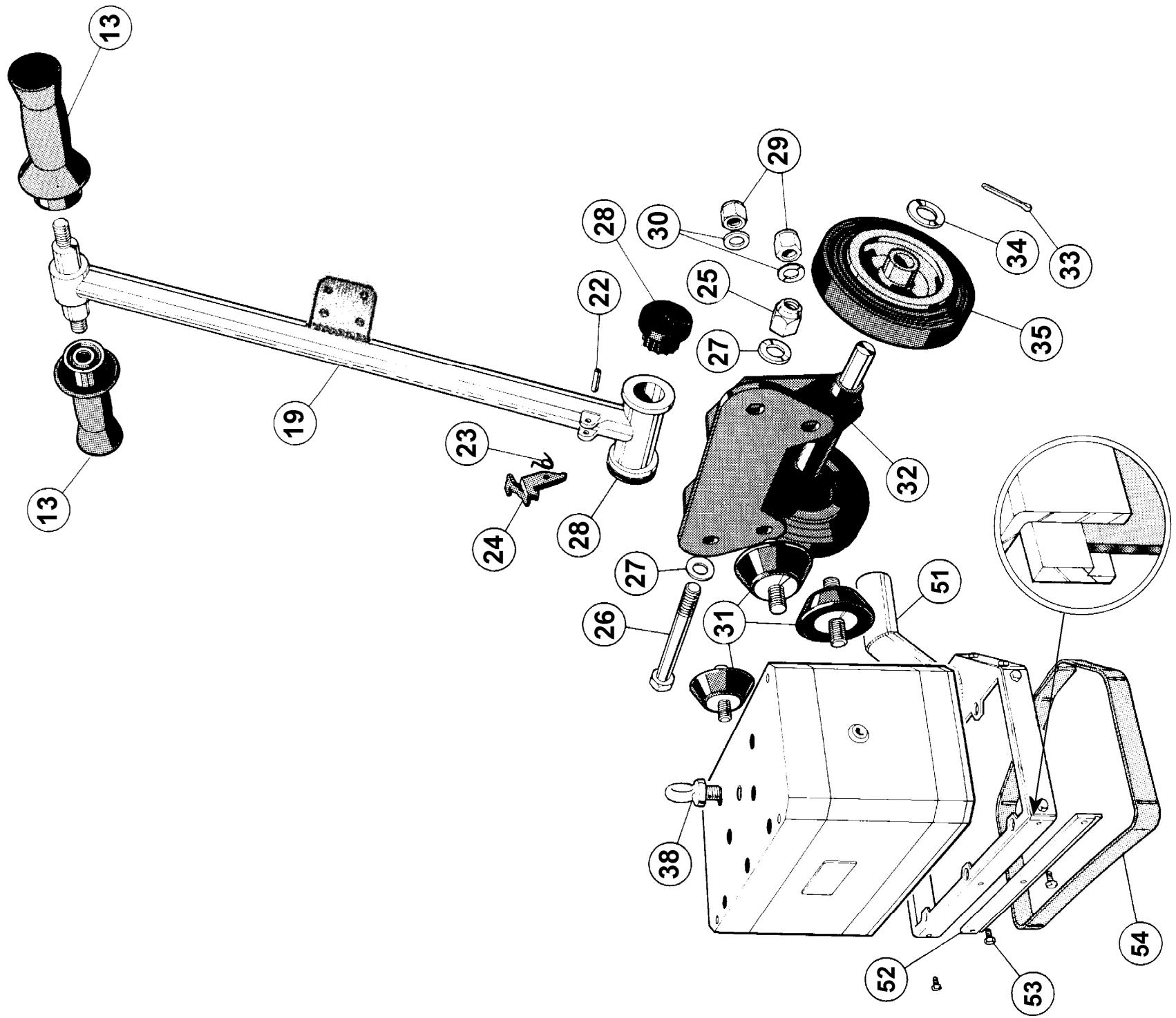


Consumables

42	612.0125	Piston Bush (one piece)
	612.0120	Piston (Threaded)
43	613.3001	Cylinder
48	614.5302	Brush Seals
50	426.5355	Bush Hammer Cutter Head
	426.5358	Cruciform Cutter Head





PART NUMBER LIST

Item No	Part No	Description	Item No	Part No	Description
13	490.0200	Hand Grip (set of 2)	43	613.3001	Cylinder
19	422.0120	Prior 2010 - Handle Assembly	44	809.0500	Cylinder 'O'Ring
	422.0125	2010 onwards - Handle Assembly			
22-24	491.4100	Prior 2010 - Foot Release set	47	654.1120	Sealing Plate
	491.4110	2010 onwards - Foot Release set	48	614.5302	Brush Seals
23	714.0120	Prior 2010 - Spring	49	831.3120	Bolt M12 x 65 Hex Head
	713.0125	2010 onwards - Spring		*806.1265	Cap Head Screw M12 x 65 (For Vacuum Shroud)
25-27	491.2000	Handle Pivot Bolt assembly	50	426.5355	Bush Hammer Cutter Head (for 612.0120)
28	490.1000	Rubber Mountings (set of 2)		426.5358	Cruciform Cutter Head (for 612.0120)
29-31	491.0200	Rubber Block mounting kit (set of 4)	51	437.0120	Vacuum Shroud assembly (Inc 52,53,54 and *806.1265)
32	440.0120	Subframe	52	492.0120	Clamp Plates (set of five)
33-35	491.1100	Wheel assembly (set of 2)	53	490.3200	M5 Hexagon Head Screws (Set of 11)
38	831.4120	Eye Bolt	54	731.0120	Vacuum Shroud Seal
39/45/46	491.5000	Cylinder Block	55	826.5004	Adaptor 3/4 BSP x 3/4" BSPT
41	490.3000	Caphead Screw (set of 7)	56	828.1000	Ball Valve
42	612.0125	Piston Bush (one piece)	57-59	491.2100	'U' Bolt assembly (set of 2)
	612.0120	Piston (Threaded)	60	719.0750	Armoured Hose inc fittings
			SEE PAGE (4) FOR LIST OF CONSUMABLES		